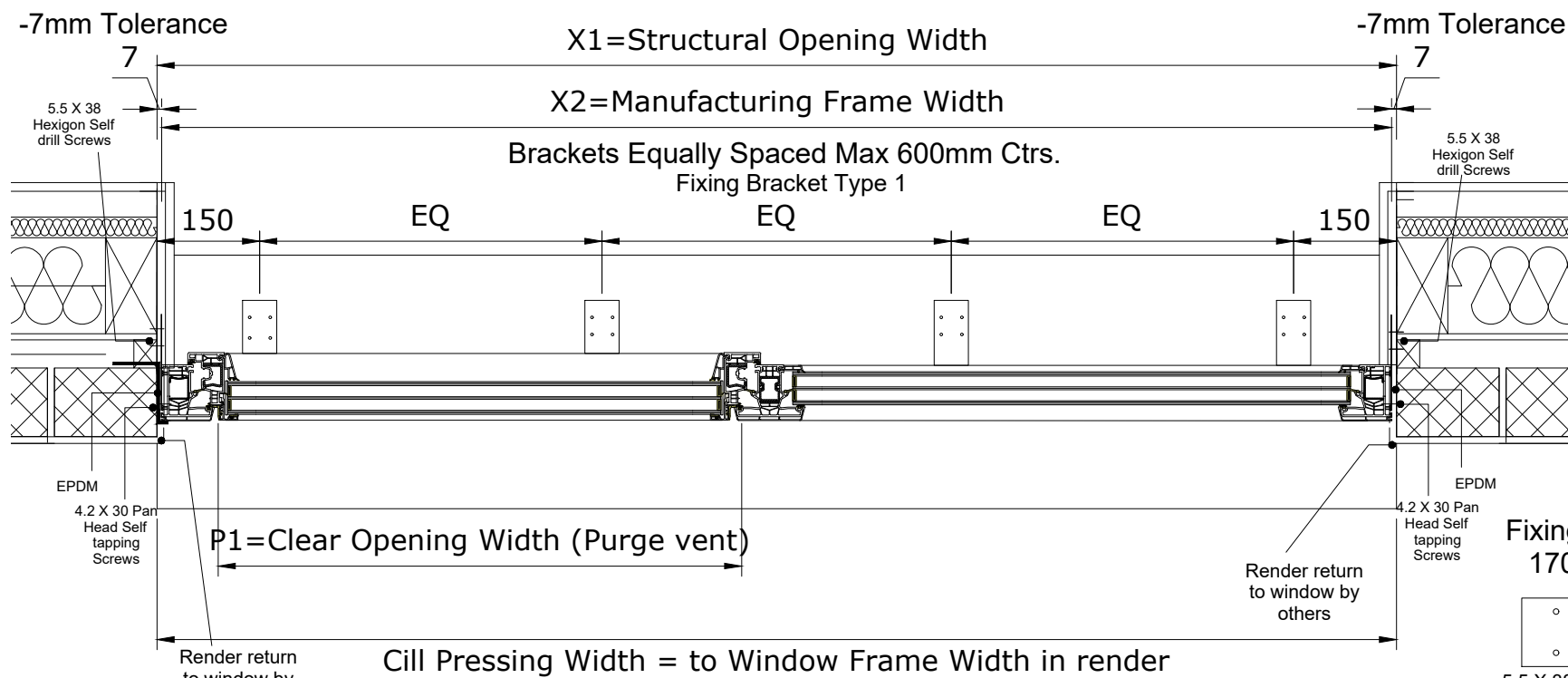
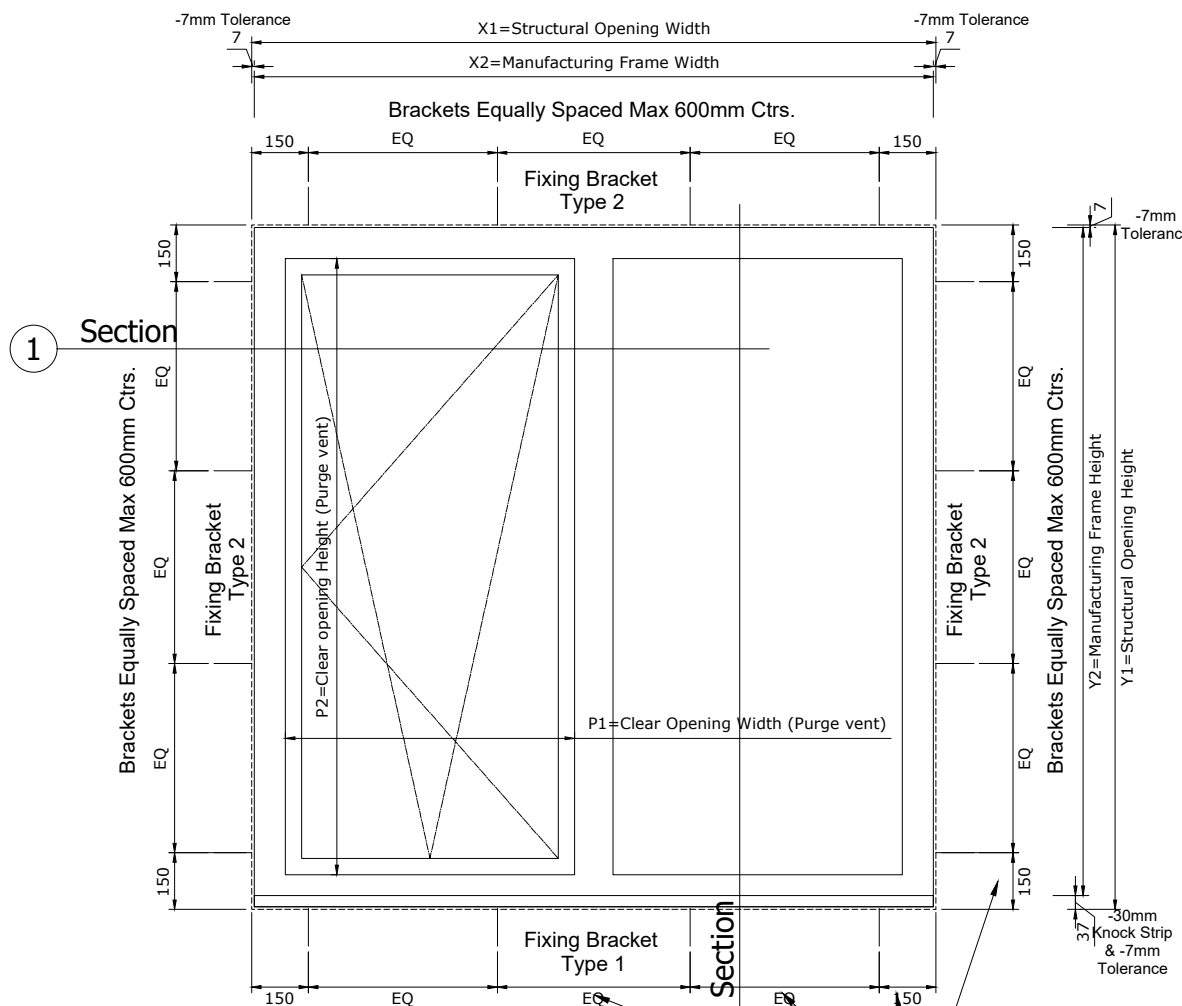


2 Elevation Section
1:10@A3

NOTE:
FRAME TO BE SET 35mm FROM
EXTERNAL FRONT EDGE



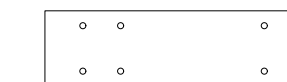
1 Plan Section
1:10@A3



3 Elevation
1:20@A3

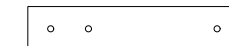
dims are for fixing strap positioning

Fixing Bracket Type 1
170 X 50 X 6 THK.



5.5 X 38 Hexigon Self drill Screws 4.2 X 30 Pan Head Self tapping Screws

Fixing Bracket Type 2
140 X 30 X 2 THK.



5.5 X 38 Hexigon Self drill Screws 4.2 X 30 Pan Head Self tapping Screws

NOTE: FIXING PLATES
TO BE AT MAX 600CTRS.

4 Fixing plate Details
1:5@A3

CAMPBELL-MASON Ltd.

Unit 19 Top Barn Business Centre
Holt Heath
Worcester Road
Worcester
WR6 6NH



STATUS: _____

FOR INFORMATION

PROJECT TITLE: _____

KOMMERLING 76 PROFILE

ALUCLIP ZERO FLUSH

DRAWING TITLE: _____

TYPICAL FIXING DETAIL

TIMBER FRAME RENDER

DRAWING NUMBER:
17082-002

SCALE: 1:20, 1:10, 1:5 @ A3

REVISION:
-

DRAWN BY: RTFS

DATE: Aug 2017